



create light boxes with alisign<sup>®</sup>, aluminium framed signage panels with multiple clear acrylic insert panels

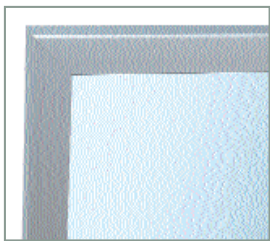
For the creation of light boxes, decorative illumination or signage, you can't go past Mitchell Laminates new AliSign™ range of doors and panels. AliSign™ doors and/or panels come in the same range of profiles as AliFrost® and are supplied complete with two acrylic inserts. Simply insert your graphic between the two clear acrylic inserts and mount, it's that simple. Panels can even be supplied with specially designed predrilled key-holes for wall mounting.

AliSign® panels can be made to suit any graphic size, making them suitable for a wide range of signage applications.

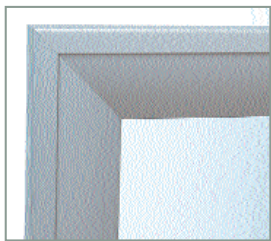
**FEATURES:**

- > Four designer profiles
- > Cost effective signage solution
- > Light weight
- > Impact resistant
- > Can be easily adapted for backlighting
- > AliSign™ panels are custom made to suit any graphic size.
- > Unique design allows for quick exchange of graphic.
- > AliSign™ panels can be combined with a range of hardware systems allowing for complete Hinged, Lift Flap, BiFold, Sliding and Drawer applications.

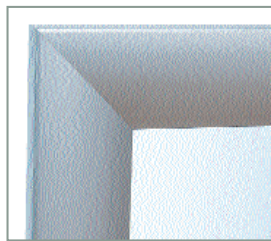
**Five Designer Profiles**



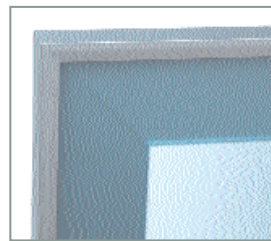
19 Square



46 Step



46 Curved



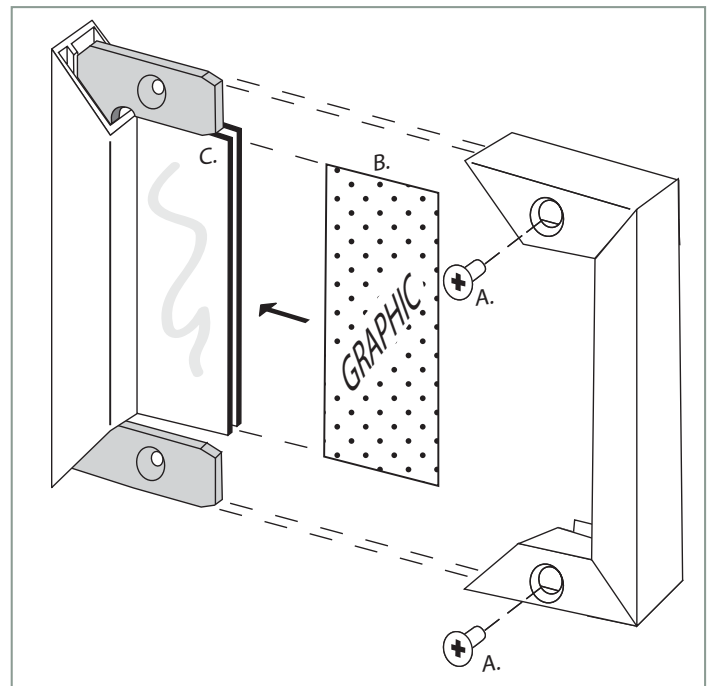
9x55 Box



43x55 Flat



To insert graphic, remove screws (A) and gently slide frame apart. Next insert graphic (B) between the two sheets of Acrylic (C), before re-assembling frame. \*Note AliSign™ panels are designed for graphics of no more than 0.7mm thick. For graphics greater than 0.7mm, please contact sales staff.



**new** **NEW alihandle™**

All alifrost® doors are now available with alihandle™, a new integrated, flush fitted, handle option. Simply select from the available sizes, set positions and we do the rest. See brochure for more information or visit [www.alifrost.com.au](http://www.alifrost.com.au)

p 03 9558 1544  
[www.alifrost.com.au](http://www.alifrost.com.au)

